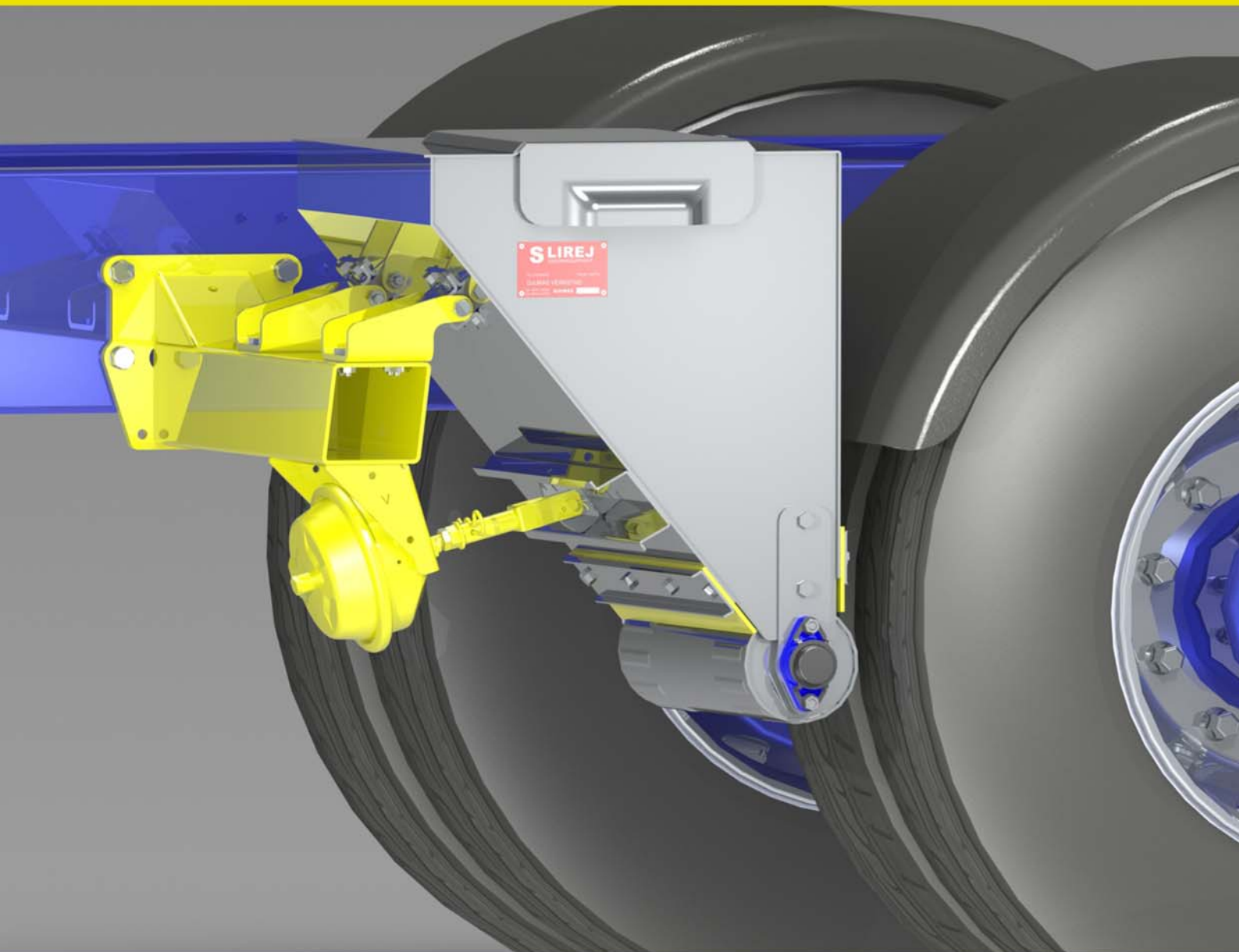


[www.slirej.se](http://www.slirej.se)

# SLIREJ<sup>®</sup>

for safety's sake!



**Drive and stop safe in winter roads!**

# Model ST



# SLIREJ

## Top-filled

### ST 600

SLIREJ who need about 600mm in front of the wheel. Fits almost any truck but should not be used if you need to put snowchains on. Then you need the ST 650.

Height: 685 mm

Depth: 810

With: 600mm from the wheel and forward.

Volume: 90 liter

Weight box \*\*: 46kg

Weight bracket: 18kg

\*\* Incl feederroller

With SLIREJ gravel spreader will make your driving safer on slippery winter roads. Just press the electrical switch and activate the SLIREJ gravel spreader. The feederroller will be pressed against the driverwheel, start turning and it will start spread gravel. The gravel will be pressed into the wheel, but also fall down on the ice road, with instant grip between the ice road and the wheel. With SLIREJ gravelspreader you will reduce the risk to slide sideways or backwards will you for example switching container or loading timber. It reduces unnecessary, perhaps costly downtime and save time when you don't have to put snow chains on. The SLIREJ gravelspreader fits almost all trucks, but is made for different forklifters. The SLIREJ gravelspreader is a robust construction and has been around for many years. The maintenance cost are low and the parts are constructed to withstand the cold and hostile weather conditions.

### ST 650

SLIREJ who need about 650mm in front of the wheel. It's used if you need to be able to put snowchains on.

Height: 685mm

Depth: 810mm

With: 650mm from the wheel and forward.

Volume 90 liter

Weight box \*\*: 46 kg

Weight bracket: 18kg

\*\* Incl feederroller



Djuras Verkstad AB  
Sodra Industrivagen 53  
S-785 61 DJURAS  
SWEDEN

Telephone: +46 241-100 42  
Email: [info@slirej.se](mailto:info@slirej.se)  
Homepage: [www.slirej.se](http://www.slirej.se)